

(Specification Sheet)

# INFINITY™ PRESSURE RELEASE RIM

LIFETIME WARRANTY



**POSITIVE vs. NON-POSITIVE:** The INFINITY™ pressure release rim is the result of years of development. It operates on a new principal called “Cobra Track” technology. The Cobra Track is a design that provides the most consistent “positive” lock / release system ever developed for high level competition. To understand pressure release rims, the user/purchaser must realize the difference between the two basic design categories (Positive Locking and Non-Positive Locking).

*POSITIVE LOCK: This type of rim is engineered to hold its position until a predetermined level of force is applied to the ring at which point the mechanism that holds the ring will release. At the moment the ring is released the forces applied to the rim and rim support structure significantly diminish.*

*NON-POSITIVE LOCK: Rims that do not hold the ring in a fixed position when an external force is applied are considered to be Non-Positively locking. Generally, as more force is applied to the rim, the greater will be the deflection of the ring. Typically, more deflection in the ring will result in increasing the*

*force on the rim and its support structure. If the tension at which this type of rim operates is increased to provide a more standard ball rebound, the ring movement will become more restricted when other heavy external forces are applied.*

**COBRA TRACK:** The INFINITY™ uses Cobra Track technology to provide the smoothest and longest operating positive locking design. Other positive locking rims use a detent latch design to hold the rim in a solid playing position. This means friction and that equals wear. The Cobra Track eliminates the detent. The INFINITY™ has been tested to more than 100,000 cycles and showed no significant wear or major changes in the pressure required to release the ring from the playing position. This is comparable to more than 100 years of normal use on the basketball court. Other rims show severe wear after 10,000 to 20,000 cycles and need constant adjustment to maintain a preset release setting.

**RELEASE PRESSURE ADJUSTMENT:** The INFINITY™ is the first rim to be specifically designed to meet the requirements for the 2004-05 NCAA DIV. I rules that covers pressure release rims. An easy to use adjustment screw is conveniently located on the front of the rim to provide for quick adjustment of the rim tension. This adjustment feature will allow the user to set the rim for use as a true positive lock or loosened to simulate a non-positive lock rim design.



## PIVOT LOCATIONS:

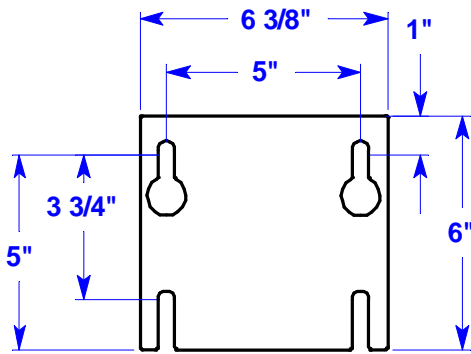
There are only two main pivot points on the INFINITY™. Each is a full length pivot tube and rod to provide for extended life of the rim. The top pivot is the primary pivot and is located at the very most rear location on the rim. This provides the most uniform release pressures from front to back on any positive locked rim. Maximum rotation is 12 ½ degrees from level.

**SOFT STOPS:** After the INFINITY™ releases from the playing position, the downward motion is cushioned by shock absorbing bumpers to stop the ring at the bottom of travel. This action effectively dampens impact forces on the player, rim and support structures when players hang on the rim.



**RING AND BRACE MATERIAL:** The ring is made of 1018 5/8" steel rod and is attached to a 1/4" thick one piece wrap-a-round brace with full length welding to provide maximum strength. The user can purchase the rim with either an NBA style net attachments or tube tie net attachments.

**TUBE TIE NET HANGERS:** The INFINITY™ is equipped with a tube tie net hanging system. A special wire cord is inserted into the rear most tube and pushed through the remaining tubes as the net is attached between the tube spaces. This net hanging system makes it easier and faster to attach the net to the rim as compared to other more conventional methods. It also provides a safe, smooth feel to the rim for players that hang on the ring. No tools are required to attach and secure the net with this system.



**BACK PLATE DESIGN:** The rim is held in place on the backboard via a 1/4" thick back plate. To aid in the installation process, the mounting holes are a combination of open slots and keyhole slots. One rim will fit either a 42" x 72" or 48" x 72" glass backboard.

**RIM SERVICE:** To service or replace any wearable parts on the INFINITY™ simply remove two screws from

the cover. Then loosen the pressure adjustment screw and open the rim. Any wearable parts such as the soft stop bumpers or rollers can be quickly replaced without the need for additional tools. A complete overhaul to the rim can be performed in less than five minutes and the rim never leaves the backboard.



**PAINT:** Each rim is finished in durable high gloss powder paint. This painting process will add years of quality appearance to your new rims.

**NET:** Each rim comes with a pre-attached heavy duty nylon net. Other nets can be just as easily attached such as anti-whip nets and cotton nets. These nets can be ordered separately from the Pro-Bound Sports online catalog.

**WARRENTY:** The INFINITY™ is the highest quality pressure release rim designed by today's standards. The operating principle is so sound that the manufacture will provide a limited lifetime warranty with no questions asked. If you break, bend, or otherwise damage this rim during the course of normal use, we will replace it free of charge with a new or remanufactured rim of the same caliber (customer pays the shipping). This warranty is limited to the original purchaser and does not cover wearable-replacement parts, net and paint.